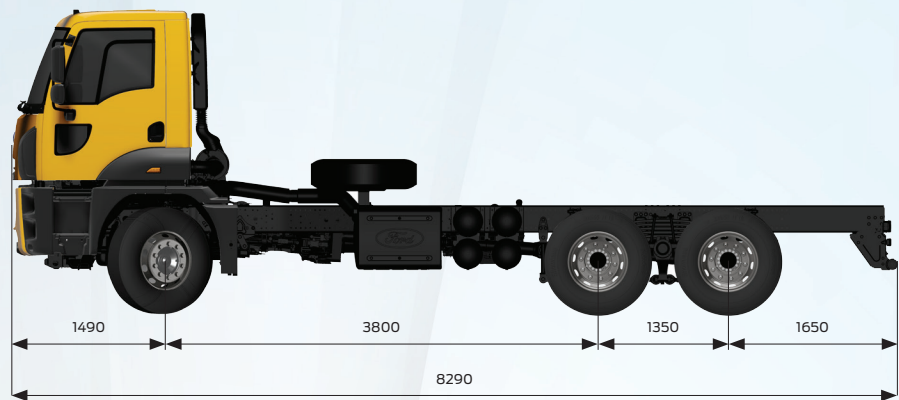


FORD TRUCKS 3542M EURO6



Basic Features

Vehicle Type	Mixer
Axle	6x4
Emission	Euro 6
Cabin Type	Day Cab
Wheelbase (mm)	3800

Engine

Type	Ecotorq 12,7 liters
Displacement (cc)	12740
Bore x Stroke	130 mm x 160 mm
Power	420 PS (308,9 kW) / 1800 rpm
Torque	2150 Nm / 1000-1300 rpm
Compression Ratio	17 +/- 0,5 : 1
Oil Filling Volume	50 L
Coolant Volume	37 L (57 L with Intarder)

Transmission

Clutch	430 mm Single Disc
Manuel Transmission / Ratios (1. gear - 16. gear)	ZF 16S 2230 (13,805-0,836)
Automated Transmission / Ratios (1. gear - 12. gear)	ZF 12 TX 2210 (16,688-1)

Steering

Power Assisted Single Circuit

Chassis

Chassis Thickness	10 mm
Chassis Strength	500 MPa
Suspension (Front / Rear)	90 mm Parabolic Leaf Springs / 100 mm Parabolic Tandem Suspension
Axle	Hub Reduction
Axle Ratio	4,08 / 3,57
Tyres	315/80 R 22,5
Wheel Rim	22,5 x 9 Steel

Braking System

Brakes (Ø mm x mm length)	430 x 45 - Disc Brakes
Braking System	Dual Brake Circuit - Air Processing Unit with Integrated Oil Separator and Heater
Engine Brake Power	max. 340 kW (Engine Level)
Intarder Power	max. 600 kW / continuous 160 kW

Electrical System

Battery	24V, 2 x 12V 150 Ah
Alternator / Starter Motor	130 A / 6,5 kW

Tanks

Fuel Tank	315 L Steel
SCR Tank	55 L



Dimensions (mm)

Front Overhang	1490
Wheelbase	3800
Overall Length	8290
Distance Between 2 nd and 3 th Wheel Centers	1350
Overall Cab Length	2305
Overall Vehicle Height	3171
Overall Vehicle Width (Excluding Mirrors)	2540
Chassis Width	770
Rear Overhang	1650
Useful Chassis Length	5890
Chassis Height-Front	225
Chassis Height-Rear	285
Ground Clearance-Front	450
Ground Clearance-Rear	370
Turning Radius	8790

Weights (kg)	1. Axle	2. Axle	3. Axle	Total
Technically Permissible Weights	8000	13400	13400	34800
Kerb Weight	5150	2426	2211	9787
Payload	2850	10974	11189	25013
GVM (Legal)	7500	9500	9500	26000

STANDARD EQUIPMENT

- Air Conditioner
- Radio/CD Player
- Engine Driven PTO & Interior Control Unit
- Cruise Control
- Engine Brake
- Disc Brake
- Electrically Operated Windows
- Heated and Electrically Operated Side Mirrors
- Electrically Operated Headlamp Leveling
- Rake and Reach Adjustable Steering Column
- Electrically Operated and Heated Side Mirrors
- Lumbar Support
- Manually Operated Sunroof
- Front and Rear Vehicle Antiroll Bars
- Anti-Lock Brake System (ABS)
- Brake Lining Wear Sensor
- Immobilizer
- Single Key with Remote Control and Central Locking
- Home Safe Light
- Approach Light
- Differential Lock
- Digital Tachograph
- Rear Window **

OPTIONAL EQUIPMENT

- Automated Transmission (with Normal Mode, Off-Road Mode, Rocking Mode)
- Intarder
- ADR Pack
- Low Roof Sleeper Cab with Single Bed
- Wet Type Cab Heater
- Cold Pack with Wet Type Cab Heater
- Cold Pack with Dry & Wet Type Cab Heater *
- Power Cab Tilting
- Switchable Air Compressor for Improved Fuel Economy
- Transmission Driven PTO Options & Interior Control Unit
- Automatic Traction Control (ATC)
- Rubber Suspension (28T)***

* Only available with Low Roof Sleeper cab version.

** Not available with Low Roof Sleeper cab version.

*** 206kg lighter compared to standard suspension vehicle.

This leaflet includes products designed for Ford vehicles. It provides information about the current technical specifications and the standard or optional accessories available as of the date it was issued. Features of standard and optional accessories of the vehicles may be changed from time to time. For this reason, please consult our Authorized Dealers to obtain updated and accurate information on the features of the vehicle you wish to buy. For the aforementioned reason, this leaflet does not constitute an assurance as to the specifications listed herein. The images used in this leaflet may be different from the vehicles on sale. The technical specifications provided herein are for standard vehicles. Selection of any optional accessories might cause differences from these specifications.